

SIMPLY BETTER.

The new one-handed clamp with 360° rotating handle



Whether it's assembly or joinery work, drywall, kitchen or shop fitting: when it comes to one-handed clamping and spreading work, professionals and do-it-yourselfers alike can benefit from the **EZ360** all round.

BESSEY has succeeded in making the entire handle unit rotate around the rail. A 12-step latching mechanism ensures that the selected handle position is held securely.

Depending on the work situation, the most ergonomic pump position can be selected to fix the workpiece comfortably and securely – whether far up, down or from the opposite side.



[Discover more >](#)

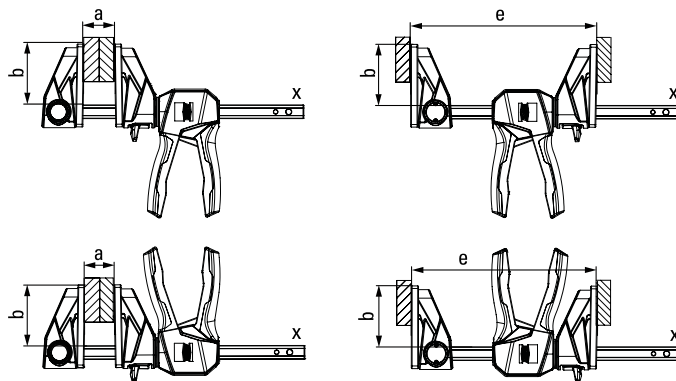


**One-handed clamp with rotating handle
EZ360**



Order number	Opening mm	Throat depth mm	Spreading width e mm	Rail mm	Weight kg	PU qty.	V3
EZ360-15	150	80	195-315	18 x 5	0.78	6	
EZ360-30	300	80	195-465	18 x 5	0.87	6	
EZ360-45	450	80	195-615	18 x 5	0.96	6	
EZ360-60	600	80	195-765	18 x 5	1.06	6	

- Innovative 360° rotating mechanism allows the handle unit to be placed around the rail
- 12-step latching mechanism to securely hold the selected handle position
- Large clamping surfaces with removable protective caps
- Clamping force up to 1,400 N
- Can be repositioned for spreading – without tools thanks to simple release mechanism by push-button on the top part
- One-handed operation with little effort required



**First of its kind
in the world**

BESSEY Tool GmbH & Co. KG ■ Mühlwiesenstraße 40
74321 Bietigheim-Bissingen, Germany
Fon +49 7142 401-0 ■ Fax +49 7142 401-452
E-Mail: tool-info@bessey.de

More information
www.bessey.de



Your dealer: